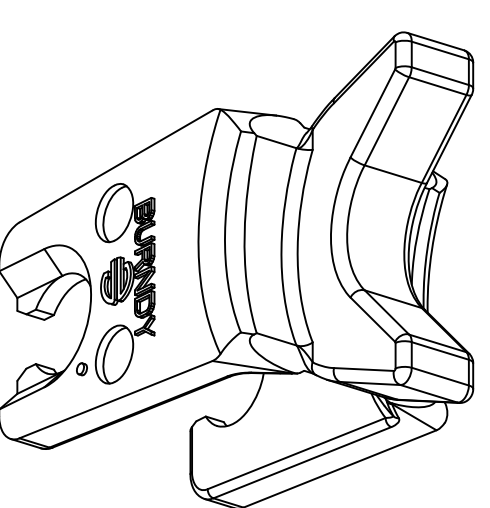
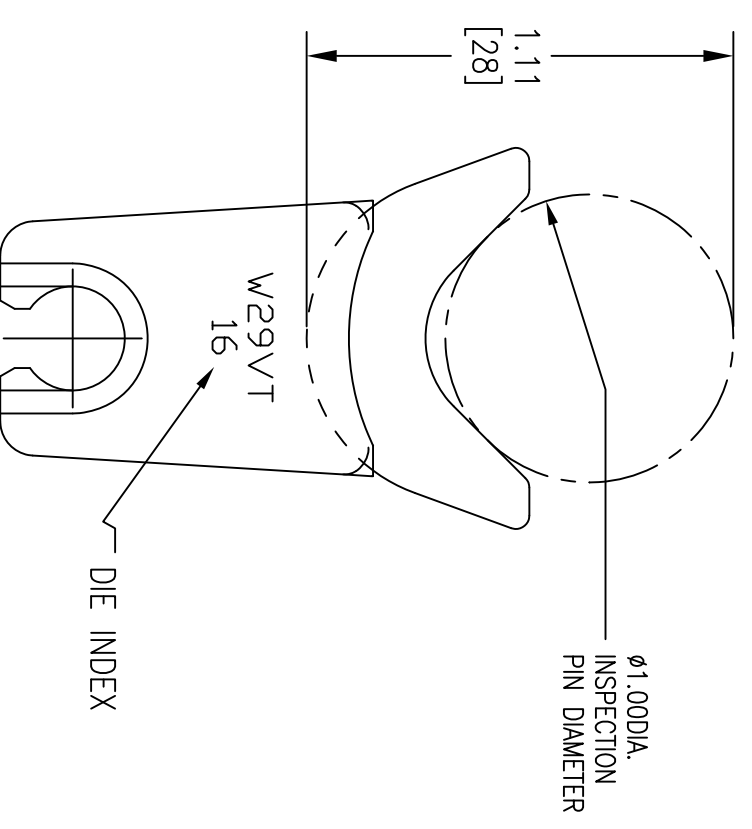
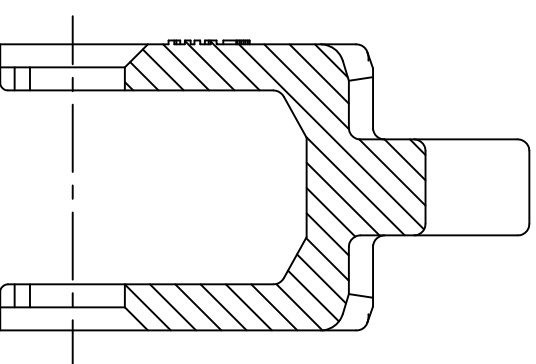
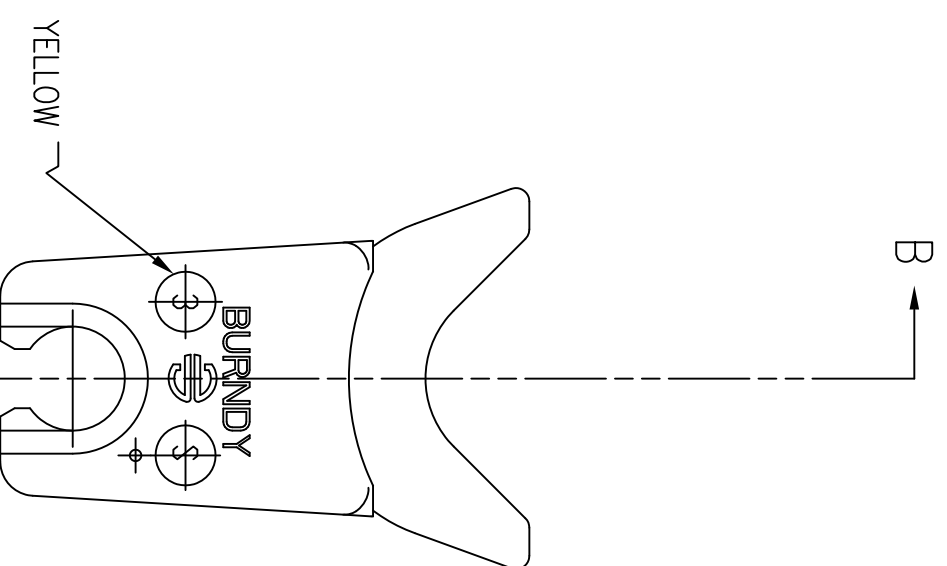


CATALOG NUMBER	DESCRIPTION
HW29VT	250KCM, DIX 16



- NOTES:
1. KIT CONTAINS ONE DIE SET.
  2. MATERIAL : STAINLESS STEEL.
  3. SPECIFICATIONS SUBJECT TO CHANGE WITHOUT NOTICE.

REV.	ECN	DATE	DESCRIPTION	CHG BY	APPD BY
1	18075	01/25/13	INITIAL RELEASE	MMA	

Created on AUTOCAD

DIMENSIONING AND TOLERANCE PER  
ANSI Y14.5M-1982  
UNLESS OTHERWISE SPECIFIED,  
DIMENSIONS ARE IN INCHES (MM).  
TOLERANCES  
.XX = ±.01 (.25)  
.XXX = ±.005 (.127)  
.XXXX = ±.0025 (.0635)  
ANGLE TOL ±1°

PROJECT REFERENCE:  
**2011-041**

MATERIAL:  
SEE NOTES

DRAWN BY:  
M. ABBY 01/22/13

CHECKED BY:

APPROVED BY:

Hubbell  
**Hubbell Premise Wiring**  
HUBBELL INCORPORATED (Delaware)  
23 CLARA DRIVE, SUITE 103 MYSTIC, CT 06355

TITLE:  
DIE SET, 250KCM, CU, DIX 16  
W DIE SET FAMILY

SIZE: **C** DRAWING NO. **HW514223C** REV. **1**

SCALE: N/A SHEET 1 OF 1